

CONSOLE for solar panels

Thank you for purchasing a product fencee from VNT electronics s.r.o.
The consoles are used to mount fencee solar panels to fencee boxes or holders.

IMPORTANT NOTIFICATIONS

- When installing, make sure you comply with all safety regulations.
- Before carrying out any work on electrical equipment, make sure that it is properly switched off.
- Please dispose the waste according to the applicable regulations.
- Never connect the solar panel directly to the energizer or battery.
Always use a regulator to avoid damaging the equipment!

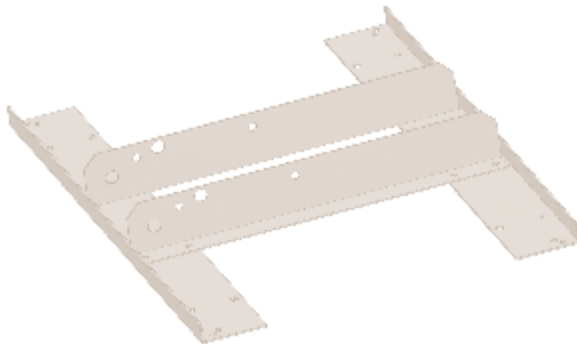
CONSOLES OVERVIEW

Console (Art.No. 8163) for 40W panel (Art.No. 8145) for portable box (Art.No. 8150)	3
Console (Art.No. 8185) for 40W panel (Art.No. 8145) for mounting post (Art.No. 8183)	6
Console (Art.No. 8184) for 40W panel (Art.No. 8145) for security box (Art.No. 8151)	7
Console (Art.No. 8164) for 100W panel (Art.No. 8146) for portable box (Art.No. 8150)	10
Console (Art.No. 8186) for 100W panel (Art.No. 8146) for mounting post (Art.No. 8183)	13
Console (Art.No. 8186) for 100W panel (Art.No. 8146) for security box (Art.No. 8151)	14
Console (Art.No. 8165) for 200W panel (Art.No. 8147) for mounting post (Art.No. 8183)	17
Console (Art.No. 8165) for 200W panel (Art.No. 8147) for security box (Art.No. 8162)	21

Instructions on how to build the console for 40 W solar panel

CONTENT

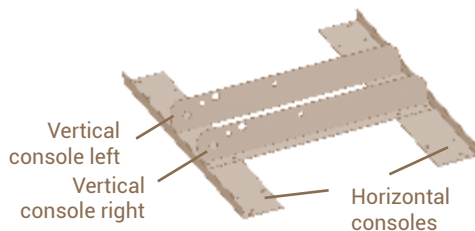
1	40W panel (Art.No. 8145) – console (Art.No. 8163) for portable box (Art.No. 8150)	3
	1.1 Console assembling	3
	1.2 Solar panel mounting	4
	1.3 Attaching the console holder to the box	5
	1.4 Mounting on the box	5
2	40W panel (Art.No. 8145) – console (Art.No. 8185) for mounting post (Art.No. 8183)	6
	2.1 Mounting to the mounting post	6
3	40W panel (Art.No. 8145) – console (Art.No. 8184) for security box (Art.No. 8151)	7
	3.1 Console assembling	7
	3.2 Solar panel mounting	8
	3.3 Mounting to the box	8



1. 40W panel (Art.No. 8145) – console (Art.No. 8163) for portable box (Art.No. 8150)

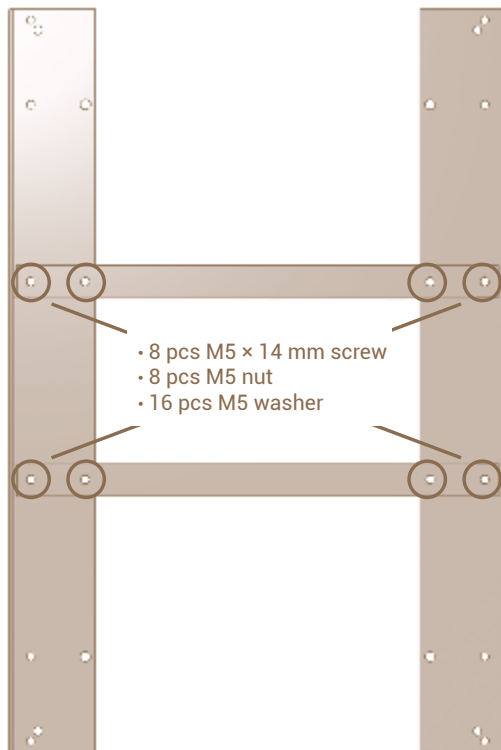
Required material:

- 2 pcs horizontal console
- 1 pc vertical console left
- 1 pc vertical console right
- 1 pc console holder
- 16 pcs M5 × 14 mm screw
- 16 pcs M5 nut
- 32 pcs M5 washer
- 2 pcs M6 × 110 mm screw
- 2 pcs M6 wing nut



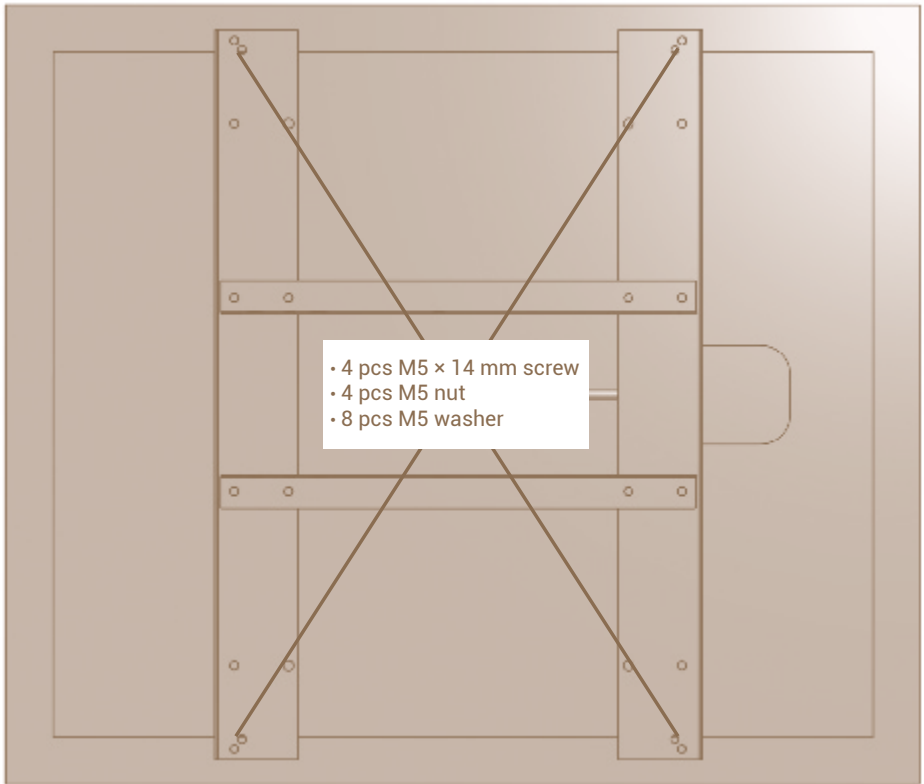
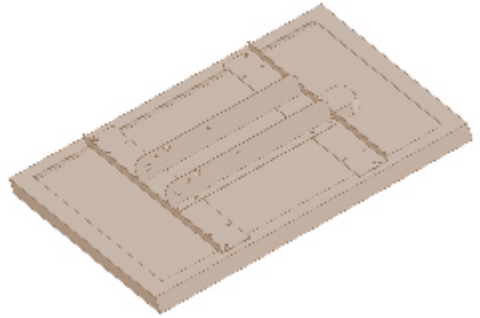
1.1 Console assembling

Assemble the console parts according to the drawing and screw the parts together at the marked points. Use 8 pcs M5 × 14 mm screw, 8 pcs M5 nut and 16 pcs M5 washer.



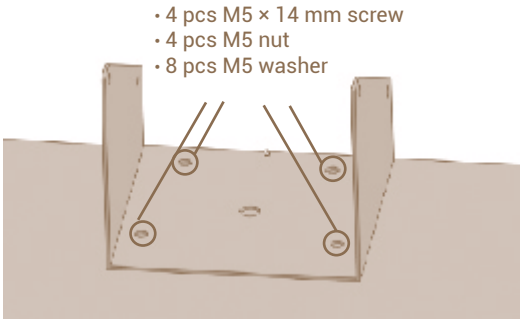
1.2 Solar panel mounting

Screw the consoles according to the drawing with 4 pcs M5 × 14 mm screw, 4 pcs M5 nut and 8 pcs M5 washer to the panel.



1.3 Attaching the console holder to the box

Screw the console holder to the box according to the drawing and in the marked spots. Use 4 pcs M5 × 14 mm screw, 4 pcs M5 nut and 8 pcs M5 washer.

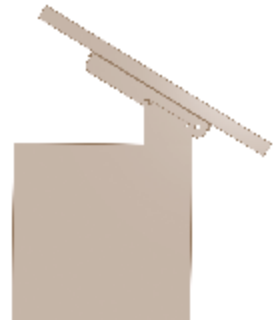
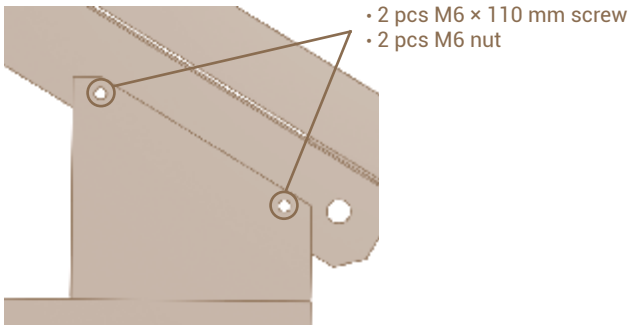


1.4 Mounting on the box

Place the solar panel with the console on the holder so that both vertical parts of the console are seated on the holder from the inside, connect the console with the holder using 2 pcs M6 × 110 mm screw in the marked spots as on the drawing and secure them with 2 pcs M6 wing nut. The screws must pass through all parts of the console and the holder.



Always orient the solar panel with the connection cable box facing upwards!



2. 40W panel (Art.No. 8145) – console (Art.No. 8185) for mounting post (Art.No. 8183)

Required material:

- 2 pcs horizontal console
- 1 pc vertical console left
- 1 pc vertical console right
- 12 pcs M5 × 14 mm screw
- 12 pcs M5 nut
- 24 pcs M5 washer
- 2 pcs M10 × 120 mm screw
- 2 pcs M10 wing nut



Console assembling – chapter 1.1
Solar panel mounting – chapter 1.2

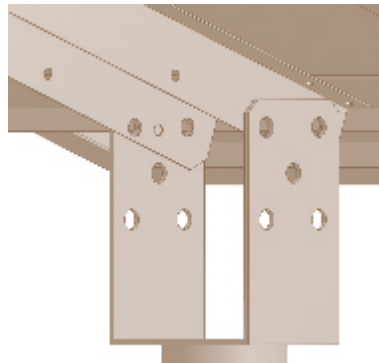
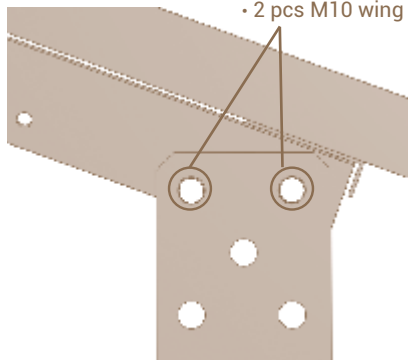
2.1 Mounting to the mounting post

For mounting on the mounting post use a solar panel with a console. Panel with console (for box portable Art.No. 8150) place on a mounting post screwed into the ground so that the console is between the sides of the mounting post, secure the panel in the marked holes, through both sides of the mounting post and both vertical parts of the console with an M10 × 120 mm screw and an M10 wing nut. To secure tilt of the panel, fit a second M10 × 120 mm screw and an M10 wing nut, according to drawing. The screws must pass through all parts of the console and the mounting post.



Always orient the solar panel with the connection cable box facing upwards!

- 2 pcs M10 × 120 mm screw
- 2 pcs M10 wing nut



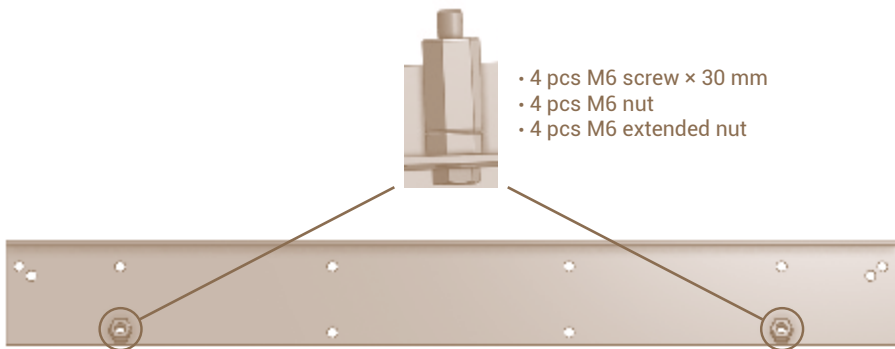
3. 40W panel (Art.No. 8145) – console (Art.No. 8184) for safety box (Art.No. 8151)

Required material:

- 2 pcs horizontal console
- 4 pcs M6 × 30 mm screw
- 4 pcs M6 nut
- 4 pcs M6 nut extended
- 4 pcs M5 × 14 mm screw
- 4 pcs M5 nut
- 8 pcs M5 washer

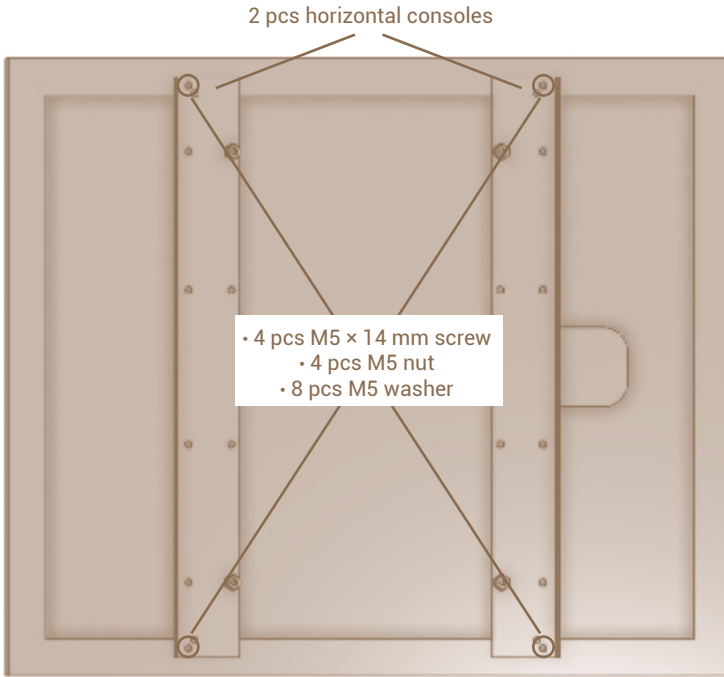
3.1 Console assembling

As shown in the drawing, screw onto the two vertical consoles 4 pcs M6 × 30 mm screw, 4 pcs M6 nut and tighten, 4 pcs M6 nut extended, and tighten.



3.2 Solar panel mounting

Screw the consoles with posts to the solar panel with 4 pcs M5 × 14 mm screw, 4 pcs M5 nut and 8 pcs M5 washer.



3.3 Mounting to the box

Place the solar panel with screws against the box, connect the panel wires to the wires on the box, place the panel on the box on the inclined side into the the prepared holes, secure the panel from the inside of the box with 4 pcs M6 wing nut.

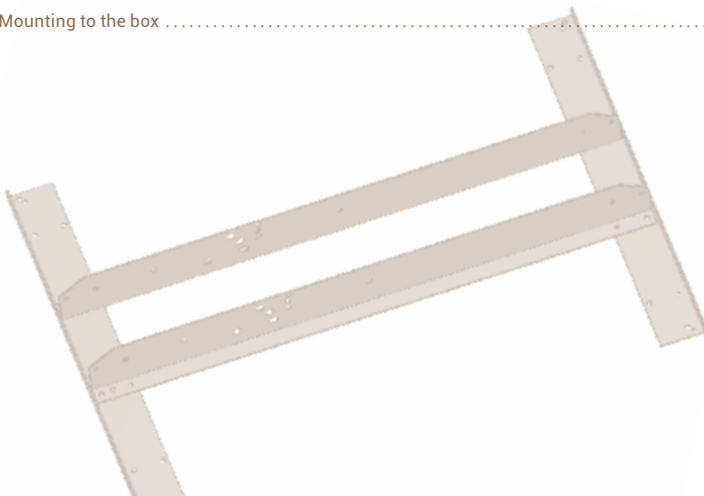


Always orient the solar panel with the connection cable box facing upwards!

Instructions on how to build the console for 100 W solar panel

CONTENT

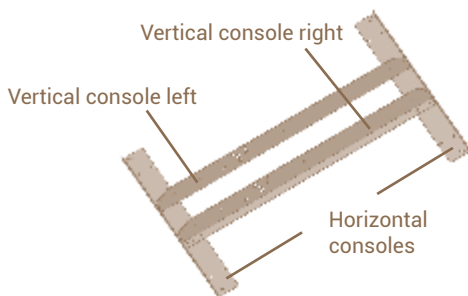
1	100W panel (Art.No. 8146) – console (Art.No. 8164) for portable box (Art.No. 8150)	10
	1.1 Console assembling	10
	1.2 Solar panel mounting	11
	1.3 Attaching the console holder to the box	11
	1.4 Mounting to the box	12
2	100W panel (Art.No. 8146) – console (Art.No. 8186) for mounting post (Art.No. 8183)	13
	2.1 Attachment to the grounding screw	13
3	100W panel (Art.No. 8146) – console (Art.No. 8186) for security box (Art.No. 8151)	14
	3.1 Console assembling	14
	3.2 Solar panel mounting	15
	3.3 Mounting to the box	15



1. 100W panel (Art.No. 8146) – console (Art.No. 8164) for portable box (Art.No. 8150)

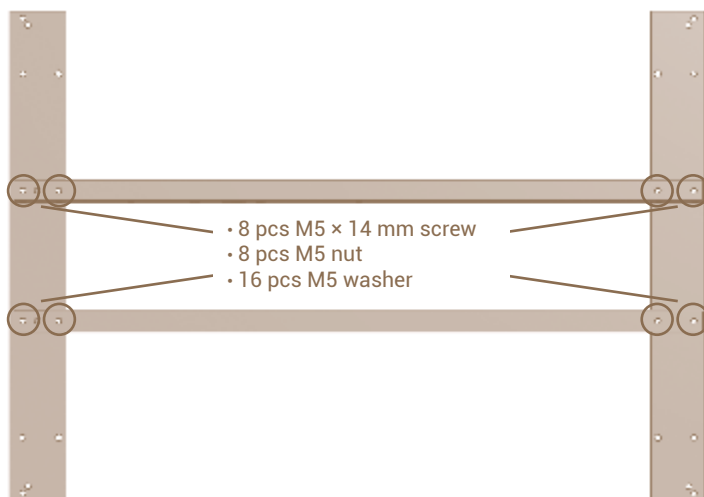
Required material:

- 2 pcs horizontal console
- 1 pc vertical console left
- 1 pc vertical console right
- 1 pc console holder
- 16 pcs M5 × 14 mm screw
- 16 pcs M5 nut
- 32 pcs M5 washer
- 2 pcs M6 × 110 mm screw
- 2 pcs M6 wing nut



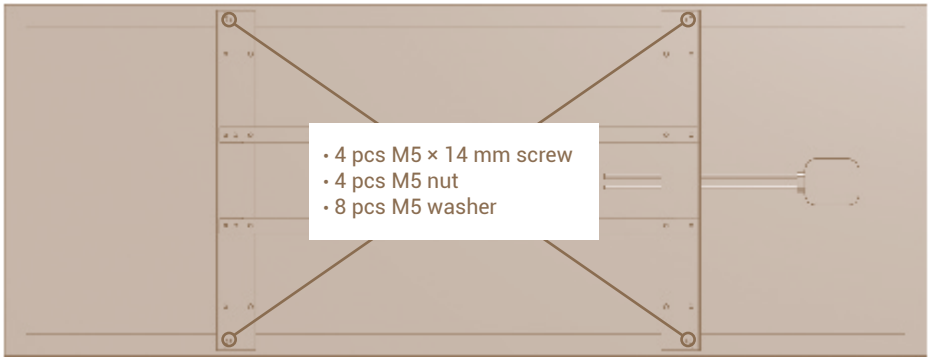
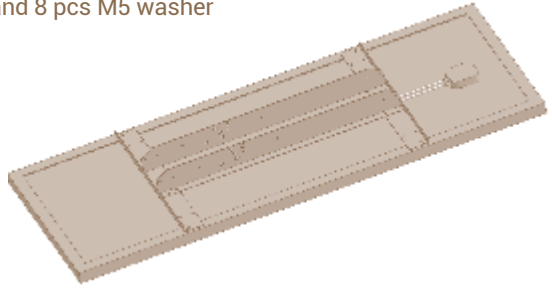
1.1 Console assembling

Assemble the console parts according to the drawing and screw the parts together at the marked points. Use 8 pcs M5 × 14 mm screw, 8 pcs M5 nut and 16 pcs M5 washer.



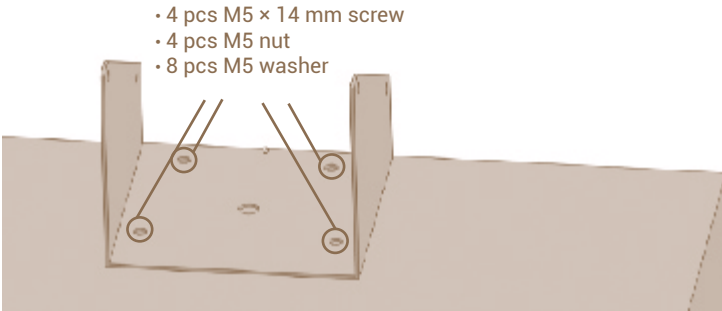
1.2 Solar panel mounting

Screw the console according to the drawing with 4 pcs M5 × 14 mm screw, 4 pcs M5 nut and 8 pcs M5 washer to the panel.



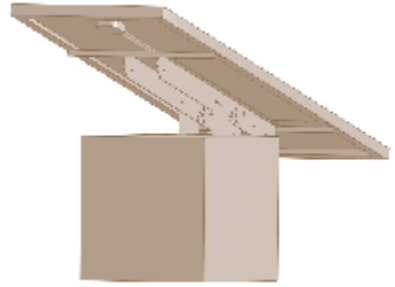
1.3 Attaching the console holder to the box

Screw the console holder to the box according to the drawing and in the marked locations, use 4 pcs M5 × 14 mm screw, 4 pcs M5 nut and 8 pcs M5 washer.

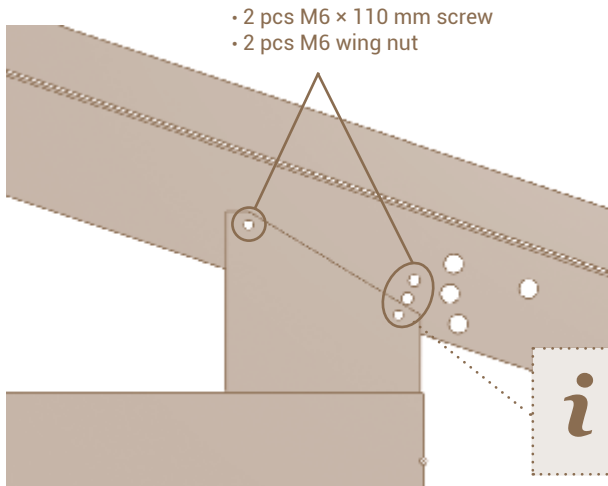


1.4 Mounting to the box

Place the solar panel with the console on the holder so that both vertical parts of the console are seated on the holder from the inside, connect the console with the holder using 2 pcs M6 × 110 mm screw in the marked spots as on the drawing and secure them with 2 pcs M6 wing nut. The screws must pass through all parts of the console and the holder.



Always orient the solar panel with the connection cable box facing upwards!

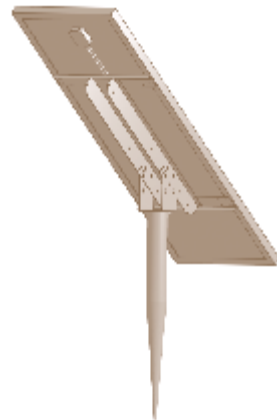


By using the bottom screw, you can adjust the solar panel to three tilt positions.

2. 100W panel (Art.No. 8146) – console (Art.No. 8186) for mounting post (Art.No. 8183)

Required material:

- 2 pcs horizontal console
- 1 pc vertical console left
- 1 pc vertical console right
- 12 pcs M5 × 12 mm screw
- 12 pcs M5 nut
- 24 pcs M5 washer
- 2 pcs M10 × 120 mm screw
- 2 pcs M10 wing nut



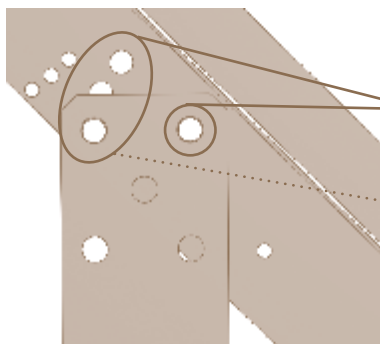
Console assembling – chapter 1.1
Solar panel mounting – chapter 1.2

2.1 Attachment to the mounting post

For mounting on the mounting post use a solar panel with a console. Panel with console (for box portable Art.No. 8150) place on a mounting post screwed into the ground, so that the plates of the screw are on the outside of the horizontal parts of the console, secure the panel in the marked holes, through both sides of the mounting post and both vertical parts of the console with an M10 × 120 mm screw and an M10 wing nut. To secure tilt of the panel, fit a second M10 × 120 mm screw and an M10 wing nut, according to drawing, in one of the three positions. The screws must pass through all parts of the console and the mounting post.



Always orient the solar panel with the connection cable box facing upwards!



- 2 pcs M10 × 120 mm screw
- 2 pcs M10 wing nut

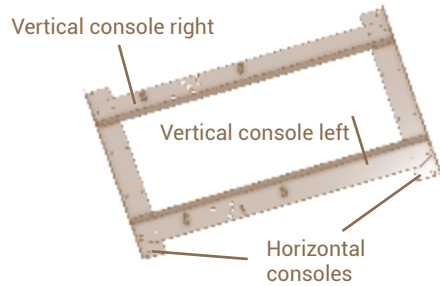


By using the top screw, you can adjust the solar panel to three tilt positions.

3. 100W panel (Art.No. 8146) – console (Art.No. 8186) for security box (Art.No. 8151)

Required material:

- 2 pcs horizontal console
- 1 pc vertical console left
- 1 pc vertical console right
- 4 pcs M6 × 30 mm screw
- 4 pcs M6 nut
- 4 pcs M6 nut extended
- 4 pcs M6 wing nut
- 12 pcs M5 × 14 mm screw
- 12 pcs M5 nut
- 24 pcs M5 washer

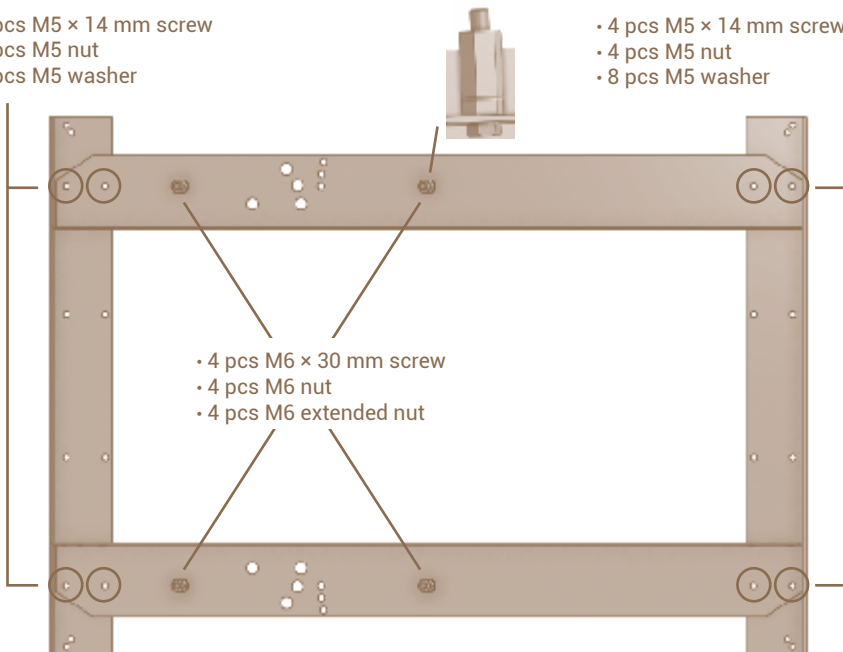


3.1 Console assembling

All parts are screwed together as shown on the drawing. Note the left vertical part is assembled to the right and vice versa, use 8 pcs M5 × 14 mm screw, 8 pcs M5 nut and 16 pcs M5 washer. Screw the 4 pcs M6 × 30 mm screw onto the two vertical consoles as shown, 4 pcs M6 nut and tighten, 4 pcs M6 nut extended, and tighten.

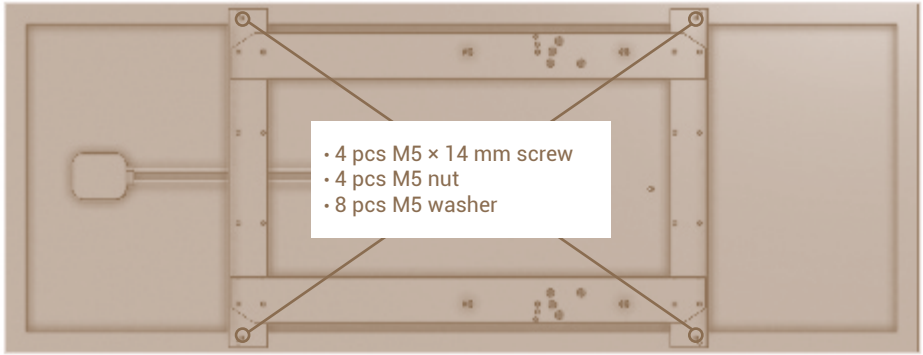
- 4 pcs M5 × 14 mm screw
- 4 pcs M5 nut
- 8 pcs M5 washer

- 4 pcs M5 × 14 mm screw
- 4 pcs M5 nut
- 8 pcs M5 washer



3.2 Mounting on the solar panel

Screw the console according to the drawing with 4 pcs M5 × 14 mm screw and 4 pcs M5 nut and 8 pcs M5 washer to the panel.

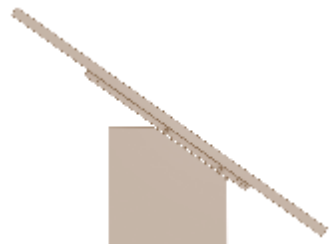
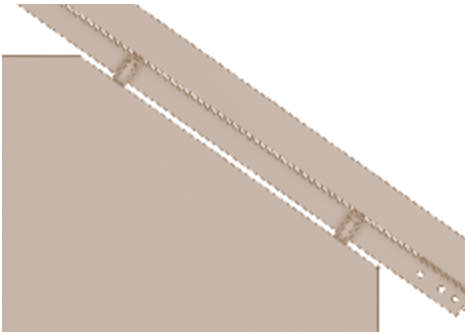


3.3 Mounting to the box

Place the complete set with the mounted console to the solar panel, against the box, connect the panel wires to the wires on the box, place the panel on the box on the inclined side into the the prepared holes, secure the panel from the inside of the box with 4 pcs M6 wing nut.



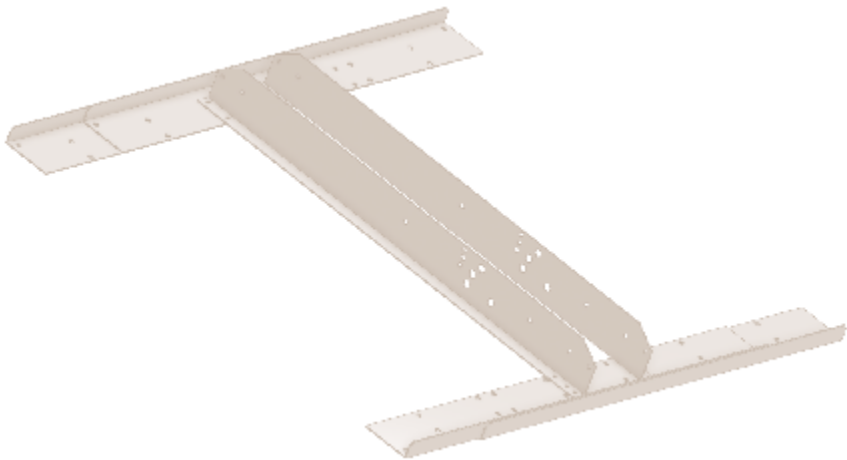
Always orient the solar panel with the connection cable box facing upwards!



Instructions on how to build the console for 200 W solar panel

CONTENT

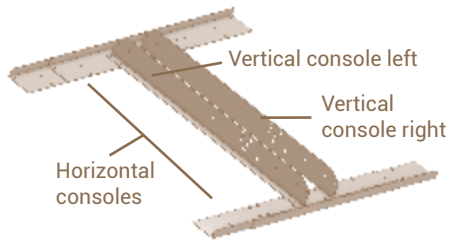
1	200W panel (Art.No. 8147) – console (Art.No. 8165) for mounting post (Art.No. 8183) ...	17
	1.1 Console assembling	17
	1.2 Solar panel mounting	19
	1.3 Mounting to the mounting post	20
2	200W panel (Art.No. 8147) – console (Art.No. 8165) for security box (Art.No. 8162)	21
	2.1 Console assembling	21
	2.2 Solar panel mounting	22
	2.3 Attachment to the box	23



1. 200W panel (Art.No. 8147) – console (Art.No. 8165) for mounting post (Art.No. 8183)

Required material:

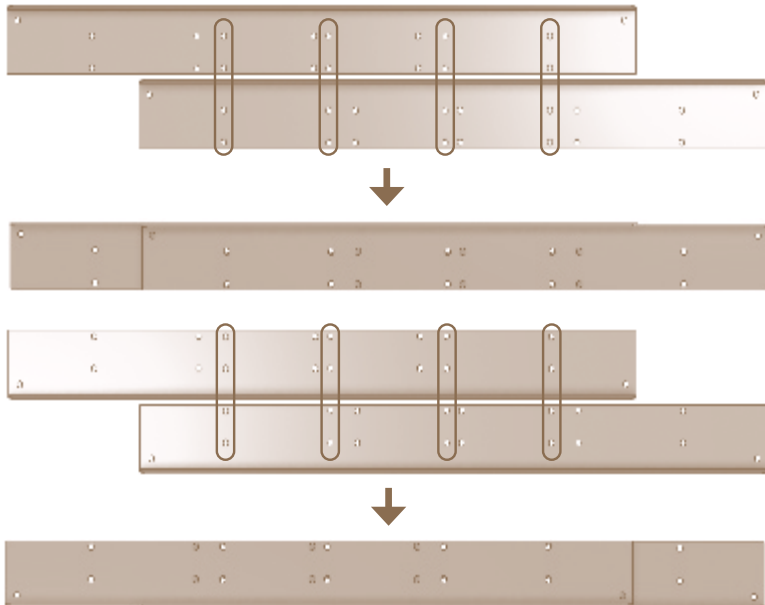
- 4 pcs horizontal console
- 1 pc vertical console left
- 1 pc vertical console right
- 12 pcs M5 × 14 mm screw
- 12 pcs M5 nut
- 24 pcs M5 washer
- 2 pcs M10 × 120 mm screw
- 2 pcs M10 wing nut

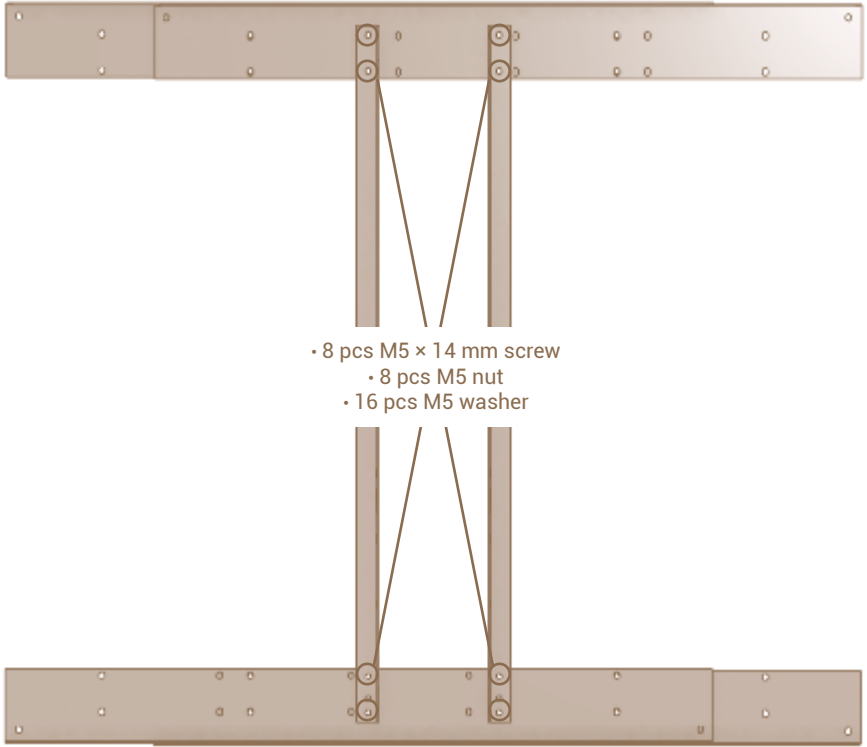


This process of mounting of the 200 W solar panel is also used when combined with a portable box (Art.No. 8161).

1.1 Console assembling

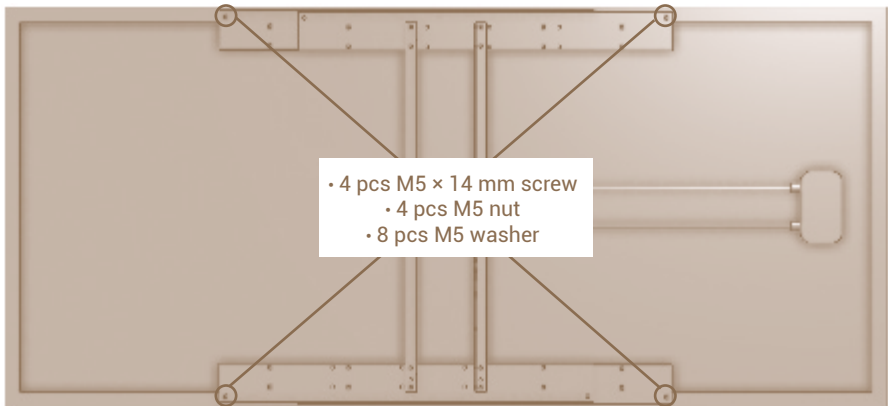
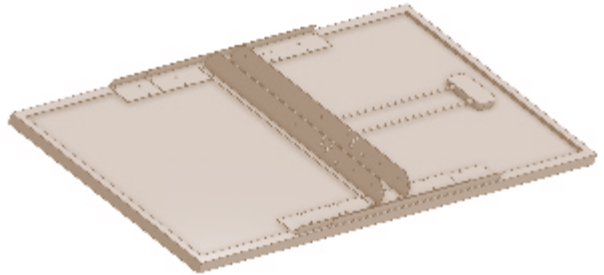
Take the two horizontal parts of the console and put them over each other through, so you have the eight holes as shown in the drawing, put M5 × 14 mm screw in one pair of holes, 2 pcs M5 washer, and add one vertical part of the console. After catching the nuts, add the other vertical part in the same way. In the same way, screw the two horizontal parts to the other end of the vertical parts. Do not tighten the nuts.





1.2 Solar panel mounting

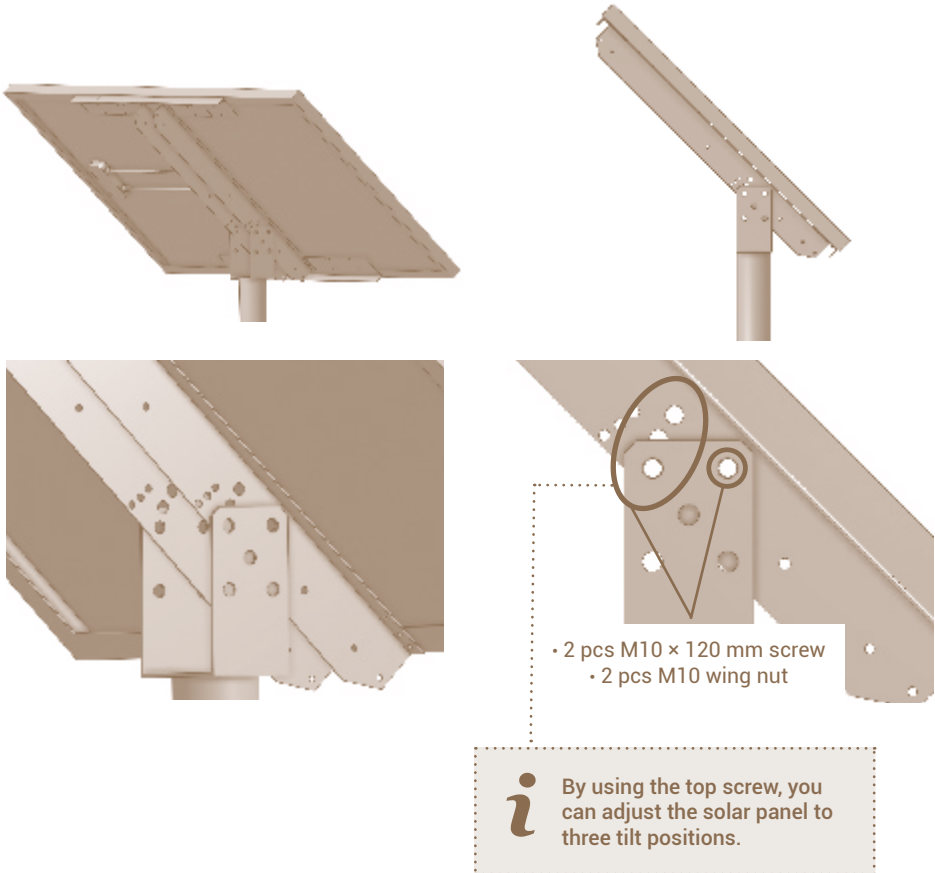
Screw the assembled consoles to the panel with 4 pcs M5 × 14 mm screw, 4 pcs M5 nut and 8 pcs M5 washer according to the drawing. Align the consoles with the panel and tighten all screws.



- 4 pcs M5 × 14 mm screw
- 4 pcs M5 nut
- 8 pcs M5 washer

1.3 Mounting to the mounting post

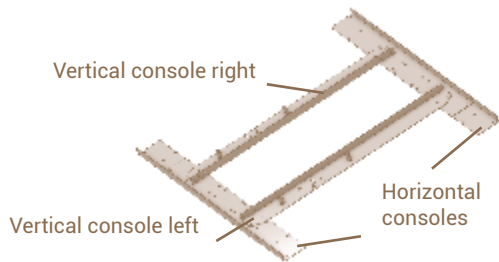
For mounting on a mounting post, we use a solar panel with a consoles. Mount the panel with the consoles on a mounting post screwed into the ground, so that the plates of the screw are horizontal on the outside of the consoles. Secure the panel in the marked holes, through both sides of the screw and both vertical parts of the bracket with an M10 × 120 mm screw and an M10 wing nut. To secure tilt of the panel, fit a second M10 × 120 mm screw and an M10 wing nut, according to one of the three positions as shown. The screws must pass through all parts of the console and the mounting post.



2. 200W panel (Art.No. 8147) – console (Art.No. 8165) for security box (Art.No. 8162)

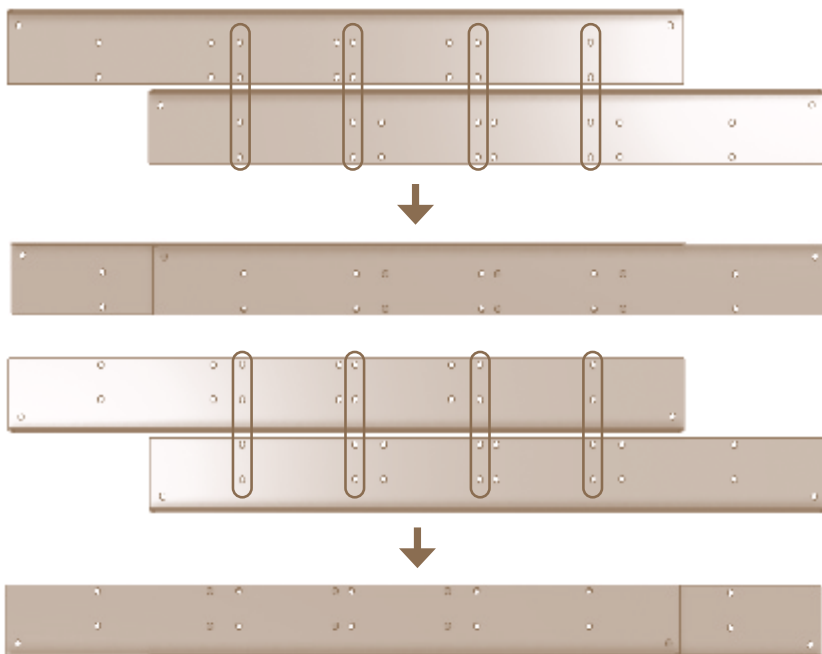
Required material:

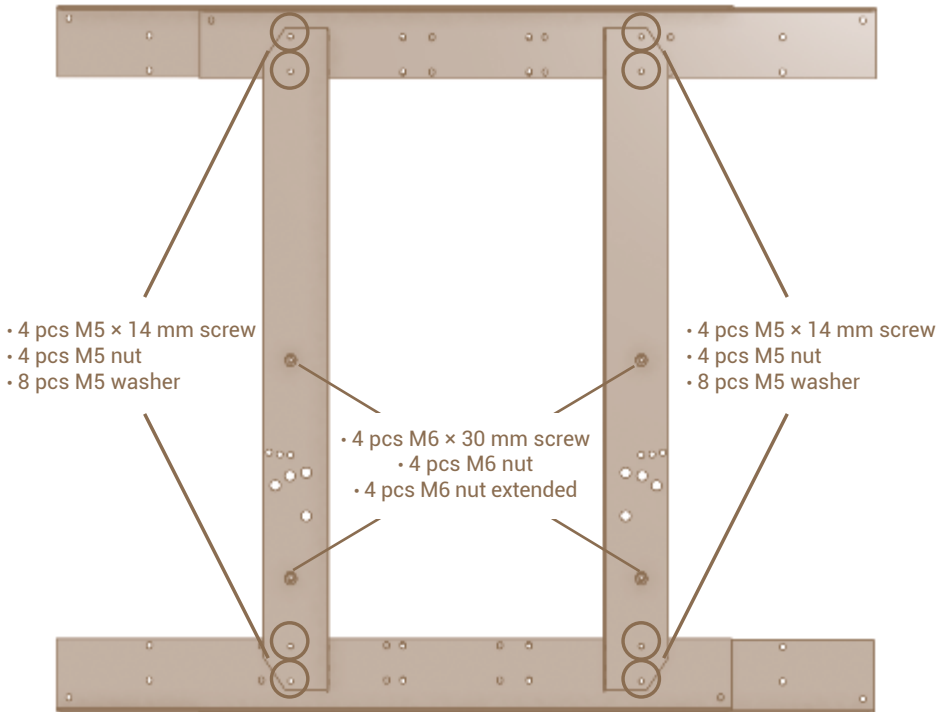
- 4 pcs horizontal console
- 1 pc vertical console left
- 1 pc vertical console right
- 4 pcs M6 × 30 mm screw
- 4 pcs M6 nut extended
- 4 pcs M6 wing nut
- 12 pcs M5 × 14 mm screw
- 12 pcs M5 nut
- 24 pcs M5 washer



2.1 Console assembling

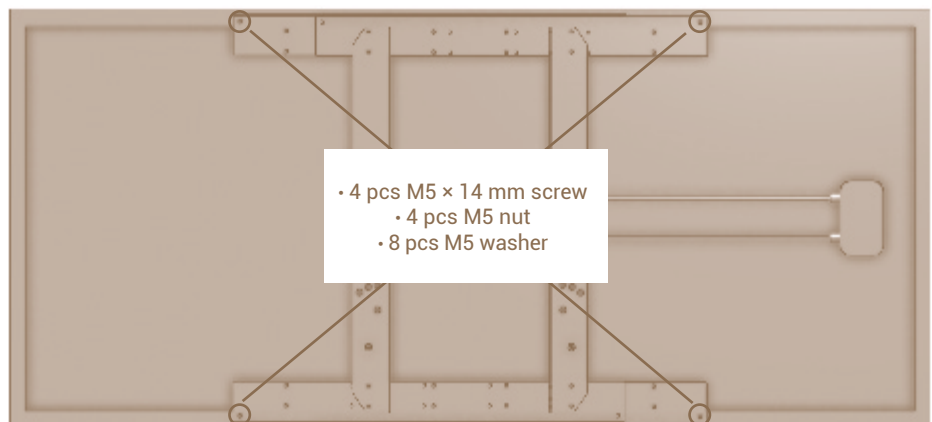
All parts are screwed together as shown on the drawing. Note the left vertical part is assembled to the right and vice versa. Use 8 pcs M5 × 14 mm screw, 8 pcs M5 nut and 16 pcs M5 washer. Screw the 4 pcs M6 × 30 mm screw onto the two vertical consoles as shown, 4 pcs M6 nut and tighten, 4 pcs M6 nut extended, and tighten.





2.2 Solar panel mounting

Screw the console according to the drawing with 4 pcs M5 × 14 mm screw and 4 pcs M5 nut and 8 pcs M5 washer to the panel.



2.3 Mounting to the box

Place the complete set with the mounted console to the solar panel, against the box, connect the panel wires to the wires on the box, place the panel on the box on the inclined side into the the prepared holes, secure the panel from the inside of the box with 4 pcs M6 wing nut.





18052023

fencee
Electric fencing

VNT electronics s.r.o.

Dvorská 605, 563 01 Lanškroun

Czech Republic

info@fencee.eu

+420 730 893 828

Customer service: +420 730 893 827



f fencee.cz **@** fenceeczech

www.fencee.eu
www.fenceefarm.com